

Please make the following alterations to the User's Manual IM04L02A01-01E (see underlined text).

### Page ii "Safety Precautions"

Please use this instrument as a measurement category II (CAT II) instrument.

This instrument is for indoor use only.

### Page iv "MODEL"

Model code	Suffi code	Description
External storage medium	-1	Floppy disk
	-2	<u>100MB Zip disk</u>
	-3	ATA flash memory card
	-5	<u>250MB Zip disk</u>

### Page v "Standard Accessories"

Number	Part Name	Part Number/Model	Q'ty	Notes
3	Mounting bracket	<u>B9900BX</u>	2	For panel mounting (except for /H5[ ] model)
8	External storage medium	A1053MP	1	<u>100MB Zip disk, included only when the medium suffix code for external storage medium is "-2."</u>
		<u>A1056MP</u>	1	<u>250MB Zip disk, included only when the medium suffix code for external storage medium is "-5."</u>

### Page vi "Optional Accessories (Sold Separately)"

Number	Part Name	Part Number/Model	Q'ty	Notes
2	Zip disk	A1053MP	1	100 MB
		<u>A1056MP</u>	1	<u>250 MB</u>
7	Mounting bracket	<u>B9900BX</u>	2	

### Page 1-21 "Saving Data to the External Storage Media"

#### External Storage Media

Various data can be saved to the following storage media:

- 3.5" floppy disk (1.44 MB, 2HD)
- Zip disk (100 MB or 250 MB)
- ATA flash memory card (4 MB to 440 MB): The size varies depending on the memory card that you are using.

### Page 2-3 "Installation Location"

Install the instrument indoors, in a location that meets the following conditions. See also the normal operating conditions described in section 14.7, "General Specifications."

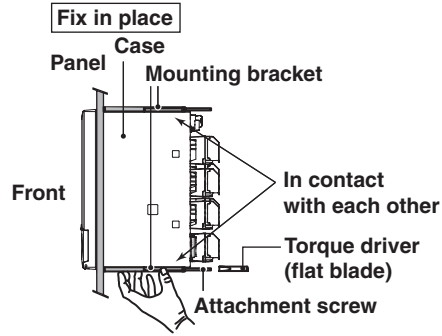
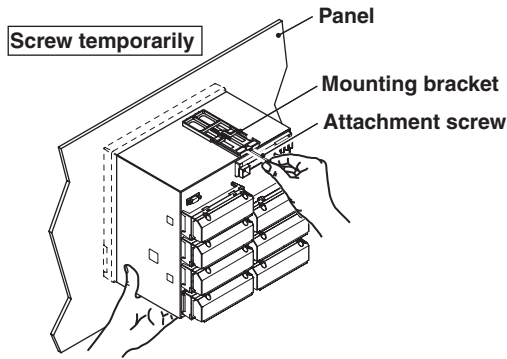
Do not install the DX200 in the following places:

- **Outdoors**

### Page 2-4 "Installation Procedure (Panel Mount Type)"

2. As shown in the figure below, mount the DX200 to the panel using the mounting brackets that came with the package.

- The proper torque for tightening the mounting screws is 0.7 to 0.9 Nm.
- Mount the DX200 to the panel according to the procedure below.
  - First, attach the two mounting brackets and temporarily fasten the attachment screws.
  - Next, fix the DX200 in place by tightening the attachment screws with the appropriate torque. When the DX200 is approximately perpendicular to the panel as you fasten the screws, press the mounting bracket against the case so that they are in contact with each other.



(The figure shows the case when the mounting brackets are used on the top and bottom of the case.)

**Pages 2-10 and 2-13 “CAUTION”**

- Use the following circuit voltage for the connection to the alarm/FAIL/Memory End output terminal.
- When the connection is to Mains Circuits (primary AC power source circuits): 150 V or less
- When the connection is to circuits derived from Mains Circuits (secondary circuits): 250 V or less  
(Mains Circuits voltage is less than 300 V, and connection must be used by isolation transformer.)

**Page 2-19 “Wiring Procedure”**

2. Connect the power supply wires and the protective ground wire to the power terminals. The proper torque for tightening the screw is 1.4 to 1.5 N•m (12.4 to 13.2 inch•lbs).

**Page 3-5 “3.3 Inserting/Removing the External Storage Medium”**

This section describes the procedures to insert and remove the external storage medium. Three types of .....

- Model DX2\*\* -1: Floppy disk
- Model DX2\*\* -2 or Model DX2\*\* -5 : Zip disk<sup>\*1</sup>

<sup>\*1</sup> For the handling procedure of the storage medium, see section 2.1. Only 100 MB Zip disks can be used with model DX2\*\* -2. With model DX2\*\* -5, 250 MB and 100 MB Zip disks can be used. However, 100 MB Zip disks must be formatted using quick (logical) formatting rather than normal (physical) formatting.

**Page 4-26 “Changing the screen to be assigned to the 4 Screen display”**

• **Registering the New 4 Screen Configuration**

Carry out the procedure in section 7.15, “Assigning a Name to the 4 Screen Display.”

\* If you do not carry out this procedure and switch to a different screen, the screen configuration will return to the original configuration before the change when you return to the 4 screen display.

**Page 7-25 “7.14, Setting the Brightness of the Screen and the Backlight Saver Function”**

**Note**

The degradation of the brightness and the discoloration of the screen (become yellowish) tend to progress faster as the brightness is set higher. Extended use at an unnecessary high setting should be avoided. It is also recommended that the backlight saver be used.

**Page 8-17 “Saving the data to the storage medium using key operation”**

This cannot be executed while data acquisition or computation is in progress.....

**Page 13-5 “13.4, Recommended Replacement Periods for Worn Parts”**

**Note**

- The LCD replacement period indicates the half life of the brightness when the brightness is set to the factory default setting. The half life is shortened as the brightness is set higher. The deterioration of brightness varies depending on the condition of use, and its determination is subjective. Consider these facts for determining the actual replacement period.
- The color of the LCD may become yellowish as time elapses. The discoloration tends to progress faster as the brightness is set higher.

**Page 14-1 “Inputs”**

\*2 W: W-5% Re/W-26% Re (Hoskins Mfg. Co.), ASTM E988

**Page 14-5 “14.3 Data Storage Specifications”**

External storage medium:                      Selectable from:  
 .....  
 3) Zip disk (100 MB or 250 MB)